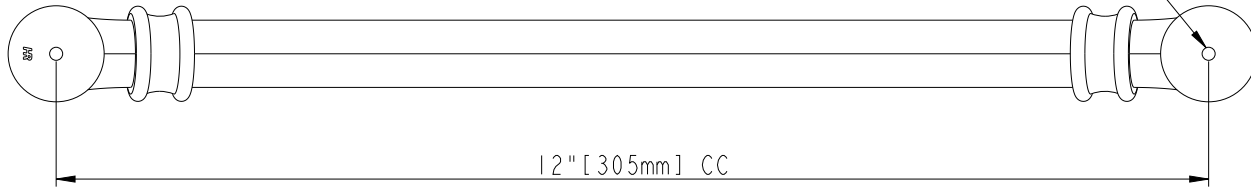
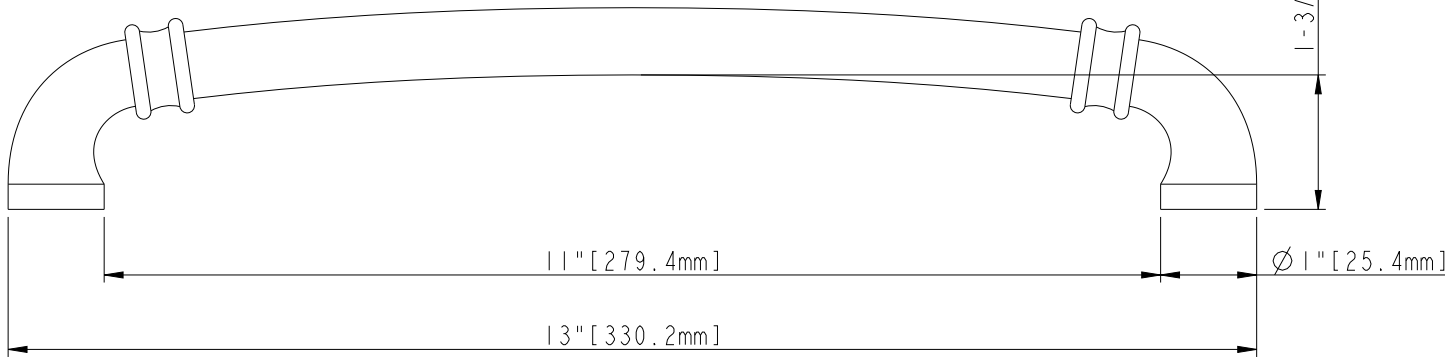


8-32 UNC -  $\nabla$  1/2"



12" [305mm] CC



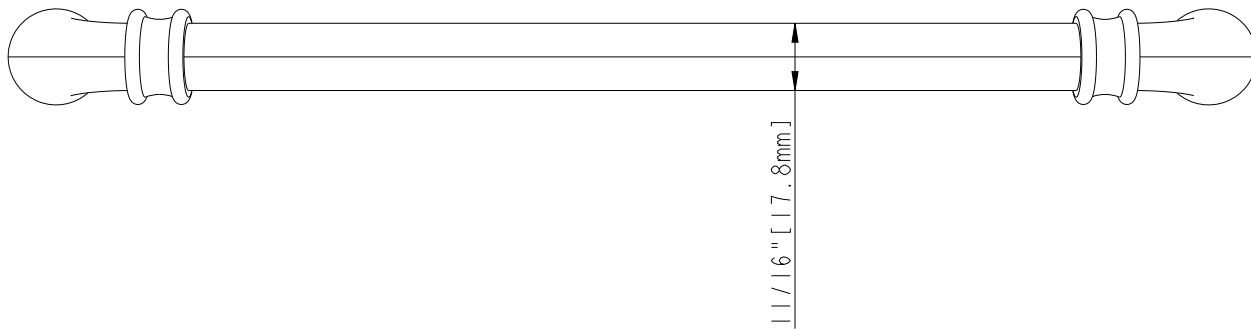
11" [279.4mm]

13" [330.2mm]

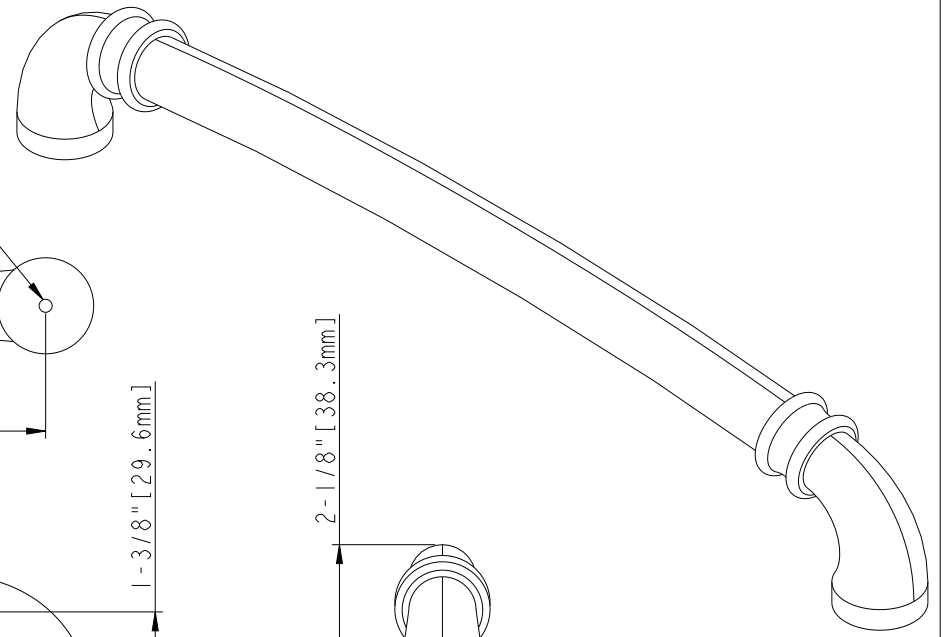
$\varnothing$  1" [25.4mm]

2-1/8" [38.3mm]

$\varnothing$  1" [25.4mm]



1-1/16" [17.8mm]



ACCESSORY:  
SCREW: 8-32x1" 2PCS  
BREAK AWAY SCREW: 8-32x45 2PCS  
ALL SCREW MATERIAL: STEEL-SAE1006